

# Technical data sheet

## Product features



### Potato peeler 200-300 kg/h 10 kg

<b>Model</b>	<b>SAP Code</b>	00007310
--------------	-----------------	----------



- Material: Stainless steel
- Control type: Mechanical
- Device capacity [l]: 10.00
- Maximal production per hour [kg/h]: 300
- Safety element: magnetic lid safety switch
- Start /stop: Yes
- Timer: Yes
- Transfer type: Strappy
- Water supply connection: 3/4"
- Drain valve diameter: 50 mm
- Abrasive: Snadno odnímatelné brusné plochy a disk pro jednodušší čištění a výměnu
- Additional information: transparent plexiglass lid for checking all stages of processing

<b>SAP Code</b>	00007310	<b>Power electric [kW]</b>	0.750
<b>Net Width [mm]</b>	442	<b>Loading</b>	400 V / 3N - 50 Hz
<b>Net Depth [mm]</b>	686	<b>Device capacity [l]</b>	10.00
<b>Net Height [mm]</b>	945	<b>Maximal production per hour [kg/h]</b>	300
<b>Net Weight [kg]</b>	46.00		

# Technical data sheet

Technical drawing

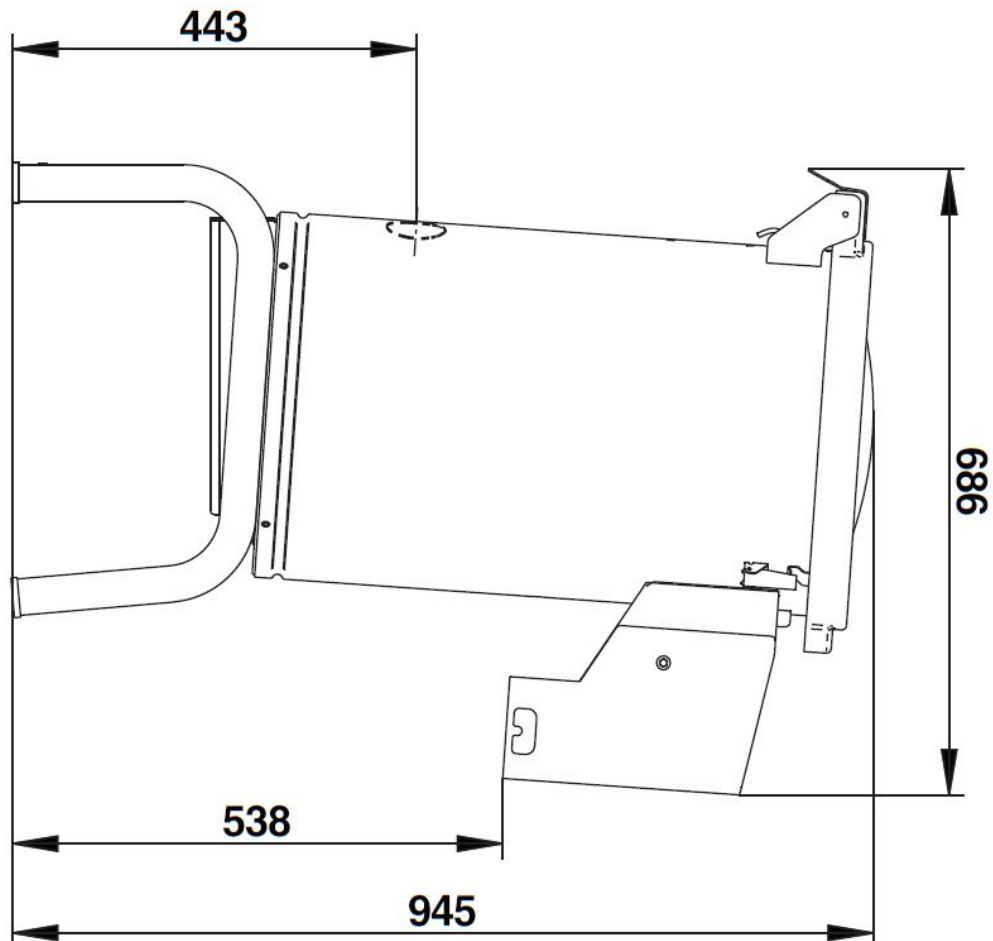
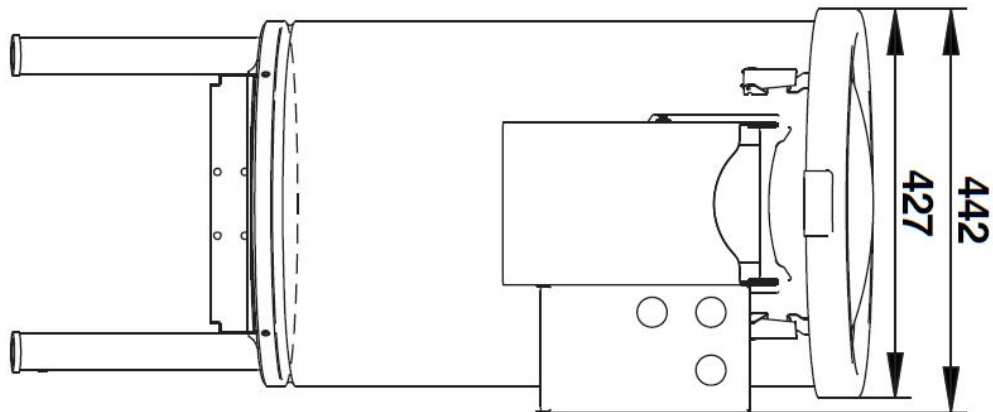


Potato peeler 200-300 kg/h 10 kg

Model

SAP Code

00007310



# Technical data sheet

Product benefits



Potato peeler 200-300 kg/h 10 kg

Model

SAP Code

00007310

1

### All-stainless steel construction

harmless to health for contact with food  
robustness

- perfect sanitation
- long service life

2

### Lid safety switch

safe operations

- protection of workers from injury caused by incorrect use

3

### Transparent lid

visual inspection of all stages of processing

- product savings due to the possibility of checking the state of processing

# Technical data sheet

Technical parameters



## Potato peeler 200-300 kg/h 10 kg

Model

SAP Code

00007310

**1. SAP Code:**

00007310

**2. Net Width [mm]:**

442

**3. Net Depth [mm]:**

686

**4. Net Height [mm]:**

945

**5. Net Weight [kg]:**

46.00

**6. Gross Width [mm]:**

680

**7. Gross depth [mm]:**

730

**8. Gross Height [mm]:**

1200

**9. Gross Weight [kg]:**

48.00

**10. Device type:**

Electric unit

**11. Material:**

Stainless steel

**12. Power electric [kW]:**

0.750

**13. Loading:**

400 V / 3N - 50 Hz

**14. Device capacity [l]:**

10.00

**15. Control type:**

Mechanical

**16. Safety element:**

magnetic lid safety switch

**17. Start /stop:**

Yes

**18. Timer:**

Yes

**19. Transfer type:**

Strappy

**20. Maximal production per hour [kg/h]:**

300

**21. Additional information:**

transparent plexiglass lid for checking all stages of processing

**22. Water supply connection:**

3/4"

**23. Drain valve diameter:**

50 mm

**24. Abrasive:**

Snadno odnímatelné brusné plochy a disk pro jednodušší čištění a výměnu